

## A/120/CR Calibration Reference IEPE Accelerometer

10mV/g or 100mV/g ±10%    24gm    Std temp 125°C



General purpose Konic Shear IEPE accelerometer for use as a reference device in calibration or validation checks. Requiring a constant current supply. With a standard 10/32 tapped thread in the top of the accelerometer this allows back to back calibration of other accelerometers ensuring both devices operate along the same axis.

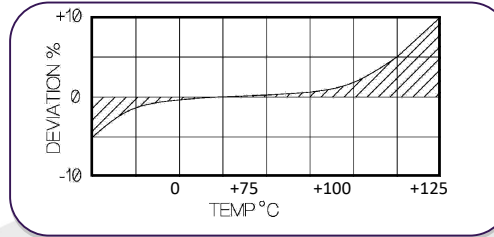
Available with a range of stud adaptors to allow the connection of numerous types of accelerometer to the integral 10-32 UNF tapped hole.

The A/120CR can be supplied in a range of different sensitivities to suit your requirement.

Please let our sales team know the stud size and sensitivity you require when ordering.

Maximum test accelerometer mass  
25grams

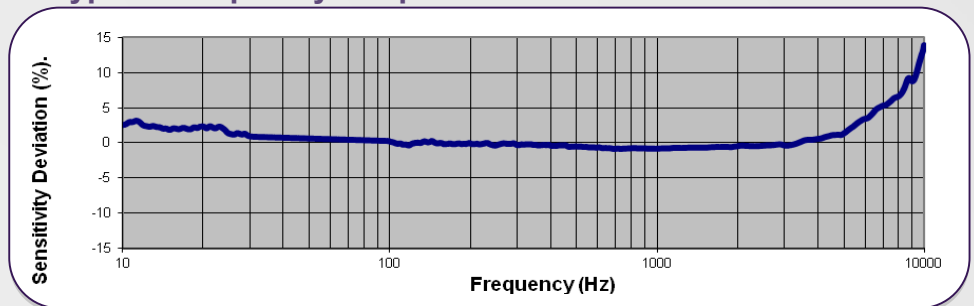
### Temperature Response



### Options:

A/120/CR  
A/120/V  
A120VI  
A120VT  
A120VTC  
A/120/VTI

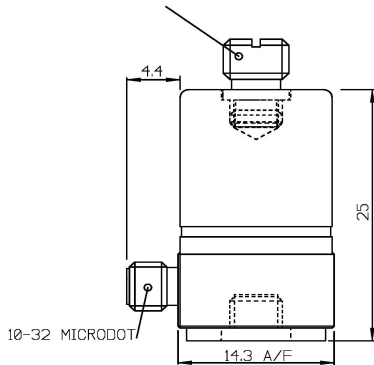
### Typical Frequency Response



### Typical Spectral Noise (100mV/g)

1Hz    732  $\mu\text{g}/\sqrt{\text{Hz}}$   
10Hz    82.1  $\mu\text{g}/\sqrt{\text{Hz}}$   
100Hz    16.2  $\mu\text{g}/\sqrt{\text{Hz}}$   
1kHz    4.2  $\mu\text{g}/\sqrt{\text{Hz}}$   
10kHz    3.1  $\mu\text{g}/\sqrt{\text{Hz}}$

SM/Ø3 STUD SHOWN WITH M6 THREAD  
OTHER THREADS ARE AVAILABLE



	Metric	Imperial
Voltage/Charge Sensitivity ±10%	1.0mV/(m/s <sup>2</sup> ) or 10.2mV/(m/s <sup>2</sup> )	10mV/g or 100mV/g
Resonant frequency	28 kHz	
Typical Frequency Response (unloaded) ±5%	1Hz – 8kHz	
Response (unloaded) ±10%	0.7Hz – 9kHz	
Cross axis error	≤5%	
Temperature range	-50/+125°C	-58/+257°F
Charge sensitivity deviation (20°C/68°F)	-5% @ -50°C +5% @ +125°C	-5% @ -58°F +5% @ +257°F
Shock level	9807m/s <sup>2</sup>	1000g
Base Strain Sensitivity	0.001g/µstrain	
Supply voltage	15/35 V DC	
Supply Current	2/20 mA	
Bias voltage	10/14 VDC	
Setting time to 90% final val.	<3 sec	
Case material	Titanium	
Mounting	Base tapped hole, 10-32 UNF x 4mm deep	Base tapped hole, 10-32 UNF x 0.16in deep
Weight	24g	0.85oz
Connector	10-32 UNF Microdot	
Case Seal	Welded hermetic connector	
Size	14.3 (A/F) x 25mm	0.56 (A/F) x 0.98in

Please note: For information and reference only. Data should not be used as pass / fail criteria for calibration purposes

### DJB Instruments (UK) Ltd

Finchley Avenue,  
Mildenhall, Suffolk IP28 7BG

A UK company with UK-based manufacturing, assembly and calibration in-house.

Tel +44 (0)1638 712 288  
Email sales@djbinstruments.com  
Web www.djbinstruments.com

DJB Iss.4 2020



ISO 9001 – 00025363