

# IH-10 IEPE Instrumented Impact Hammer

Measuring range 10000N

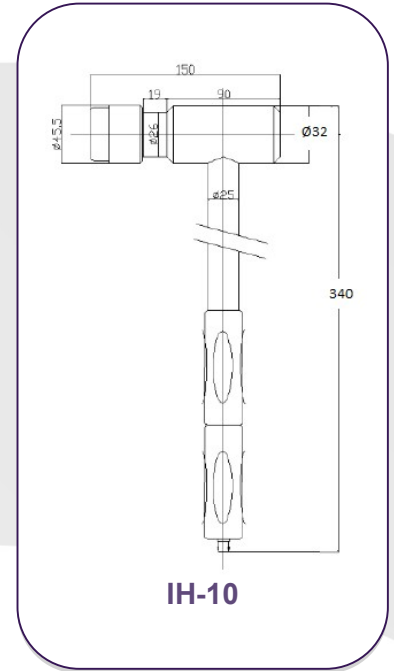


The IH-10 impact hammer belongs to a range of general purpose hammers used for structural health testing, resonance determination and modal analysis, the IH-10 itself being suitable for heavier sized components.

Included within the hammer is a piezoelectric IEPE force sensor in which directly outputs a voltage signal.

Each hammer is supplied as a kit including a cable and a variety of tips able to suit a variety of testing requirements, the IH-10 terminating with a BNC connector.

Impact pulse width and frequency response is different with different hammer heads and tips. It should be based on actual tests.



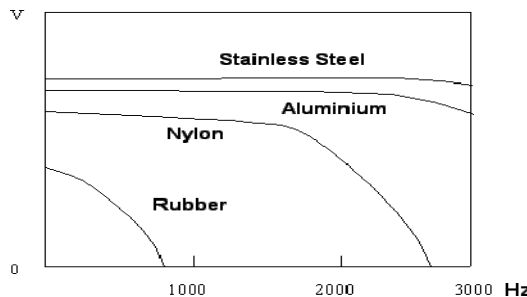
IH-10	Metric	Imperial
Sensitivity ( $\pm 10\%$ )	0.5mV/N	2.23mV/lbf
Measuring Range	10000N	2248.1lbf
Non-linearity	$\leq 1\%$	
Resolution	250mN(rms)	
Resonant Frequency	$\geq 45\text{kHz}$	
Low Frequency	0.5Hz	
Hammer head Weight	445gm	15.7oz
Hammer weight (total)	920g	32.45oz
Hammer Head $\varnothing$	32mm	1.26in
Hammer Length	340mm	13.38in
Output Connector	BNC	
Tips Supplied	Soft, medium, hard	
Excitation voltage	+18 to +28V	
Constant Current	2-10mA	
Bias voltage	10-14VDC	
Output Impedance	$\leq 100\Omega$	

- ### Options
- IH-01-50 50N
  - IH-01 200N
  - IH-02 2000N
  - IH-05 5000N
  - IH-10 10000N
  - IH-20 20000N
  - IH-50 50000N
- Other options include a wide range of accelerometers and cabling to suit any type of structural test.

### Typical Frequency Response

Pulse width and frequency response vary with hammerhead materials.

This drawing is for reference.



### Tips included



Soft

Medium

Hard

**Please note: For information and reference only. Data should not be used as pass/fail criteria for calibration purposes.**

**DJB Instruments (UK) Ltd**  
Finchley Avenue,  
Mildenhall, Suffolk IP28 7BG

**Tel** +44 (0)1638 712 288  
**Email** sales@djbinstruments.com  
**Web** www.djbinstruments.com

DJB Iss.2.2020



ISO 9001 – 00025363

A UK company with UK-based manufacturing, assembly and calibration in-house.